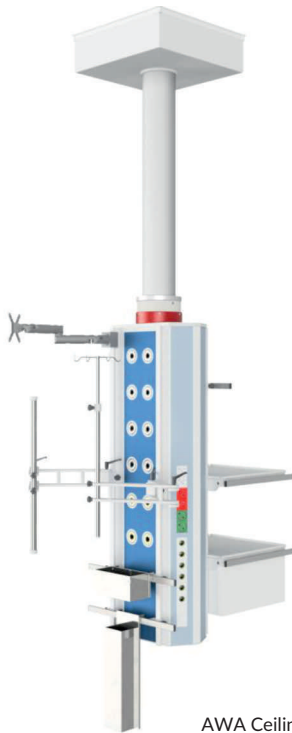


**MEDICAL CEILING  
SUPPLY PENDANTS  
CEILING SUPPLY BEAMS  
BED HEAD UNITS**

# MEDICAL CEILING SUPPLY PENDANTS

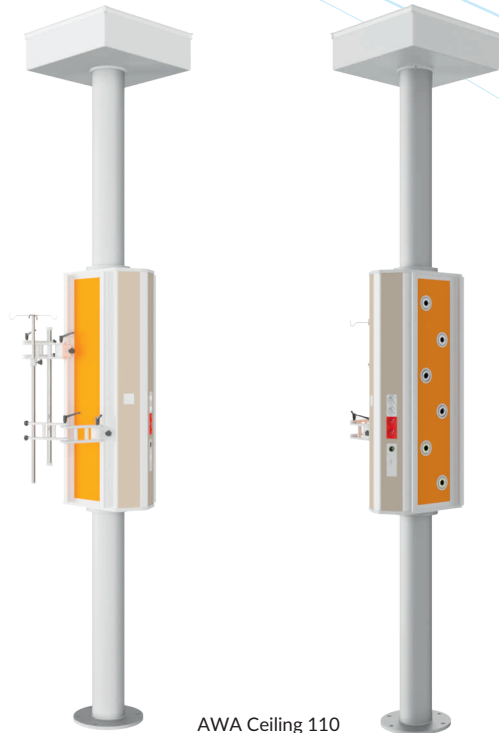
A **CEILING SUPPLY PENDANT** is a modern piece of equipment that is ideal for operating theatres, anesthetic rooms, and patient rooms. Ceiling supply pendants are used wherever safety, ergonomic equipment positioning, and precise and easy movement of the ceiling supply pendant arms are important. All our projects are tailored to the individual needs of the client. Thanks to the ability to provide any configuration of accessories and equipment, almost any purchase order can be fulfilled. We offer ceiling supply pendants with straight and articulated arms of any length, which provides many design possibilities

UPRIGHT ceiling supply pendant, fully equipped



AWA Ceiling 012

FLOOR-CEILING MOUNTED supply unit



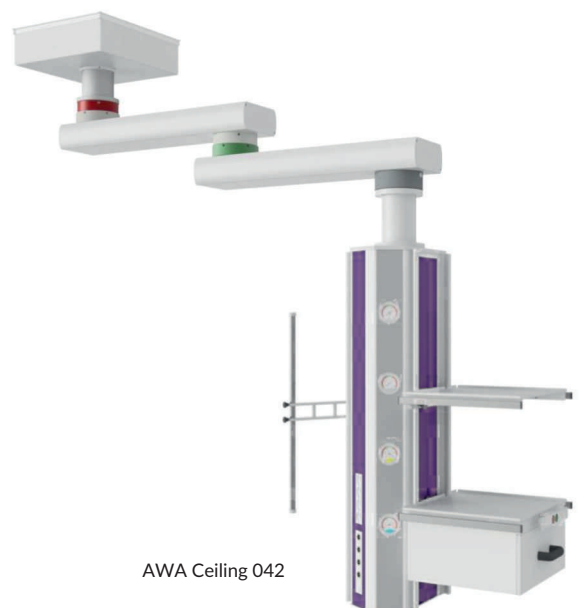
AWA Ceiling 110

Ceiling supply pendant with single arm



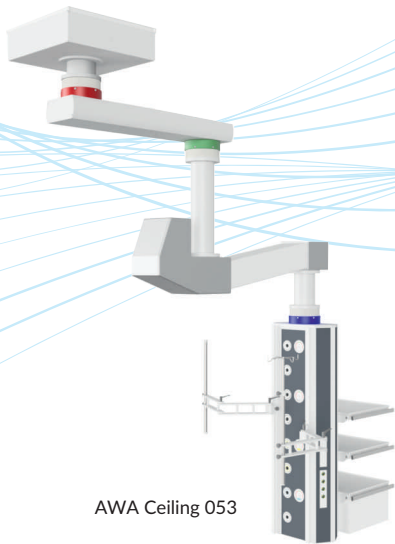
AWA Ceiling 022

Ceiling supply pendant with double arm

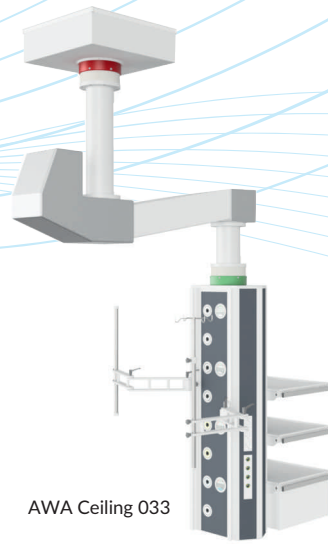


AWA Ceiling 042

Ceiling supply pendant with lifted arm

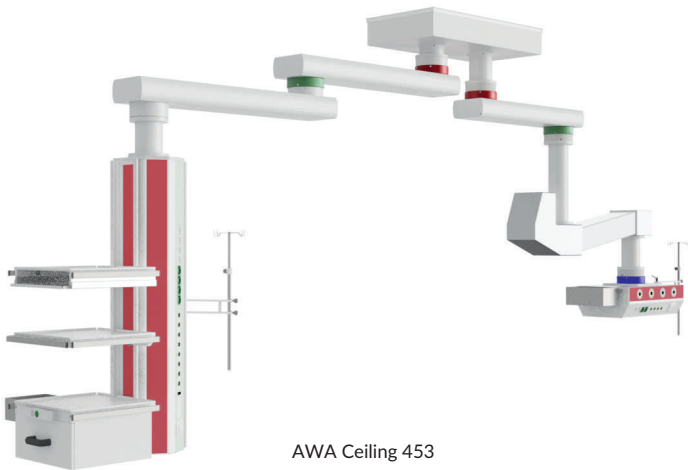


AWA Ceiling 053



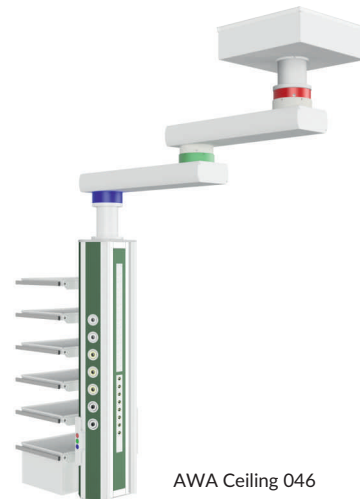
AWA Ceiling 033

TANDEM ceiling supply pendant with double lifted arm



AWA Ceiling 453

Ceiling supply pendant with double arm



AWA Ceiling 046

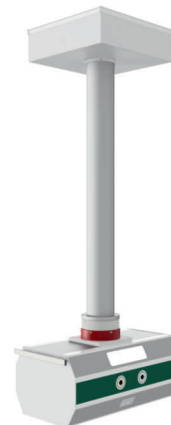
Ceiling supply pendant with HORIZONTAL heads



AWA Ceiling 031



AWA Ceiling 041



AWA Ceiling 010

# SUPPLY PENDANT HEAD SURGICAL/ANESTHETIC

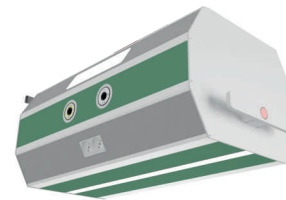
The supply pendant head can be vertical or horizontal.

## HEAD DIMENSIONS

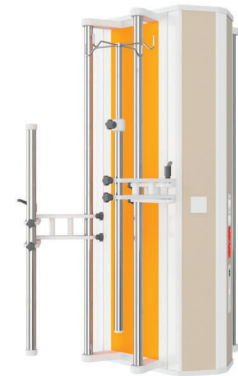
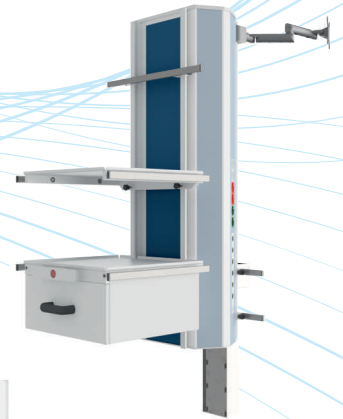
- › height from 500 mm
- › depth from 200 mm
- › width from 300 mm
- › Lifting capacity:
  - single arm 1,100 kg
  - double arm 310 kg

## SPECIFICATIONS

- › The head frame is made of anodized aluminum.
- › Powder painting in a RAL color is possible.
- › Pneumatic and friction brakes on all articulations of the supply pendant (electromagnetic brakes are available as an option).
- › Electronically or pneumatically released pneumatic brake.
- › Pneumatic brake control buttons with graphic identification are located in the control handle located on the head or front panel of the shelf.
- › Ability to rotate the arm and the head by 350°.
- › Head walls that are easy to keep clean, with no visible screws or rivets.
- › Rounded edges of the head.
- › Dedicated duct for a medical gas system along the height of the head.
- › Dedicated channel for electrical and telecommunication systems along the height of the head.
- › Dedicated interior and exterior guide rails for mounting shelves and equipment.



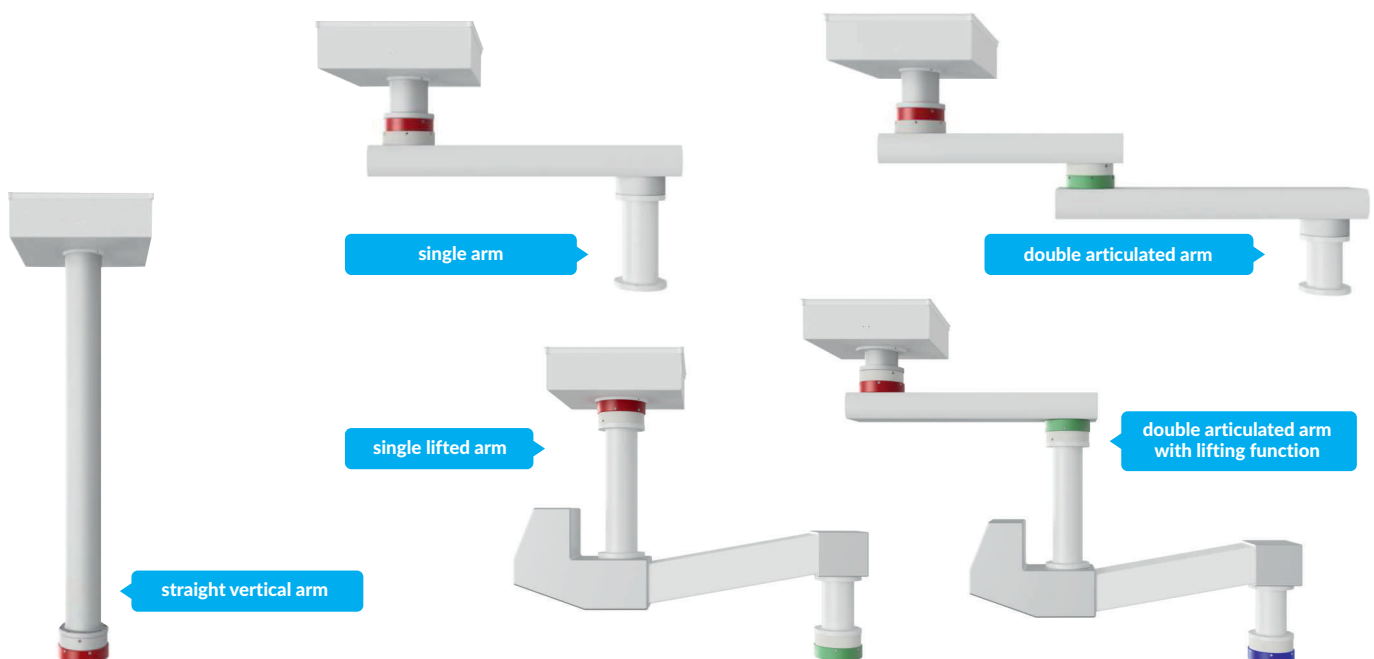
horizontal heads



vertical heads

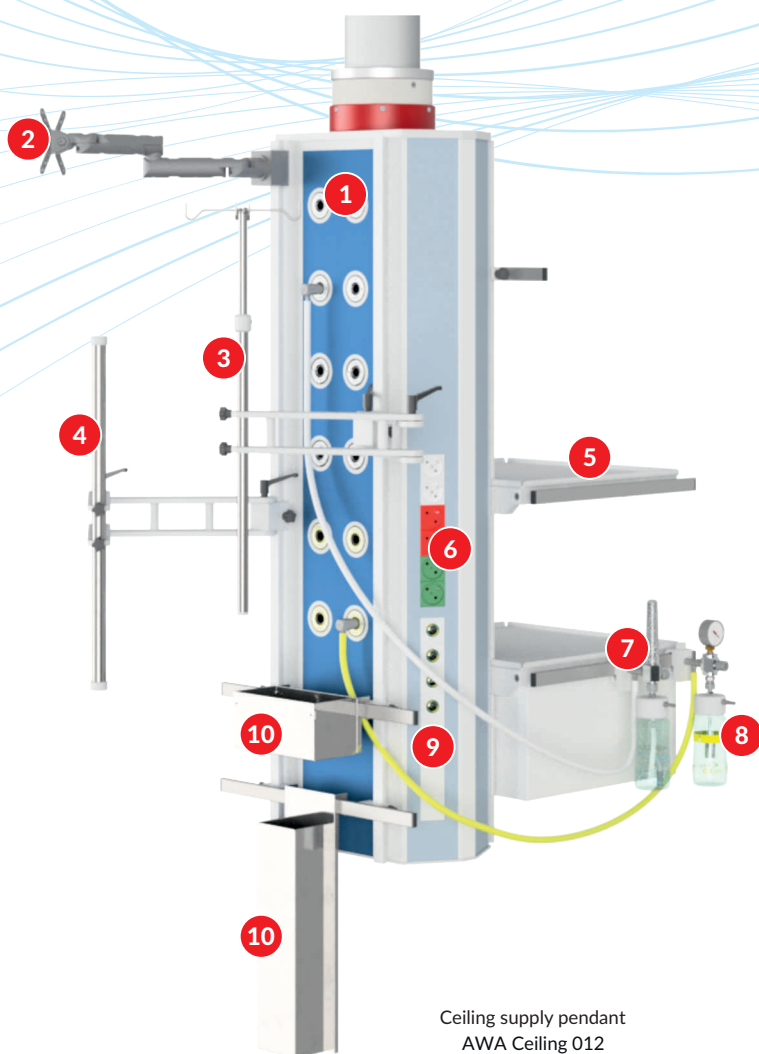
## CEILING SUPPLY PENDANT ARMS

The arms of the ceiling supply pendant are made of aluminum profiles, which, depending on the model, can be straight or articulated. The length of a single support arm is each time determined individually according to the client's needs. The maximum reach of the arms can be 2.5 m and one of the arms can perform vertical movement. All articulations can rotate by up to 350° and have an adjustable value of the reach.



# SAMPLE EQUIPMENT

FOR 1 WORKSTATION



- ① Medical gas outlets
- ② Monitor boom
- ③ Drip boom
- ④ Infusion boom
- ⑤ Shelf
- ⑥ Electrical sockets
- ⑦ Flowmeter
- ⑧ Medical suction pump
- ⑨ Equipotential sockets
- ⑩ Accessory baskets

Ceiling supply pendant  
AWA Ceiling 012

## MEDICAL GAS OUTLETS

- › made according to the DIN or AGA standard,
- › mounted on the front or back of the head,
- › number of medical gas outlets:
  - 2 x oxygen,
  - 2 x compressed air,
  - 2 x vacuum,
  - 1 x nitrous oxide,
  - 1 x AGS post-anesthetic gas extraction,
- › control manometers for each type of gas.

## LIGHT SWITCH

- › model to be selected from the manufacturer's catalog

## ELECTRICAL SOCKETS

- › flush with the housing surface,
- › made as a 45 x 45 mm French module,
- › 4 x 230 V electrical socket in white,
- › 4 x 230 V electrical socket in red,
- › 8 x equipotential terminal.

## TELECOMMUNICATION SOCKETS

- › 4 x RJ-45 6 cat computer socket,
- › BNC sockets,
- › DVI sockets,
- › HDMI sockets,
- › S-Video sockets.

The number and type of the sockets are determined individually.

## ACCESSORIES

- › shelf,
- › shelf with drawer,
- › baskets,
- › boom for mounting infusion pumps, infusion fluids, and monitors,
- › gas status alarm indication device.

## SHELF

- › mounting of up to 9 height-adjustable shelves,
- › shelf of dedicated size (width and depth),
- › stepless height adjustment along the head,
- › shelf top powder coated in a RAL color or clad with ABS material,
- › medical rails mounted on 3 sides in the DIN standard with soft plastic bumpers,
- › shelf load capacity up to 80 kg.

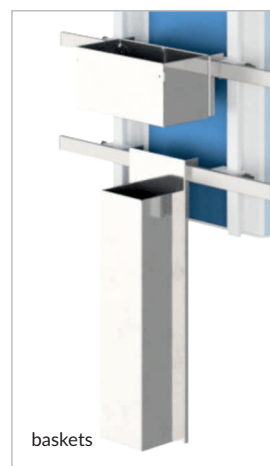


## DRAWER

- › drawer with a dedicated height,
- › possibility to pull out completely,
- › soft-closing system,
- › drawer powder coated in a RAL color or clad with ABS material,
- › toolless drawer disassembly,
- › seal fitted around the edge of the front panel of the drawer to seal the interior,
- › automatic lighting inside the drawer.

## BOOMS

- › boom for infusion pumps,
- › boom for infusion fluids,
- › boom for monitors with an articulated mount and a VESA standard monitor mount,
- › made of anodized aluminum or powder coated in a RAL color,
- › stepless height adjustment,
- › straight or articulated arms,
- › single or double arms,
- › load capacity up to 20 kg.



## OTHER EQUIPMENT

- › bars,
- › grips,
- › hangers,
- › medical rails,
- › treatment lamps,
- › baskets and containers for disposable materials,
- › cable compartment.

## AUXILIARY EQUIPMENT

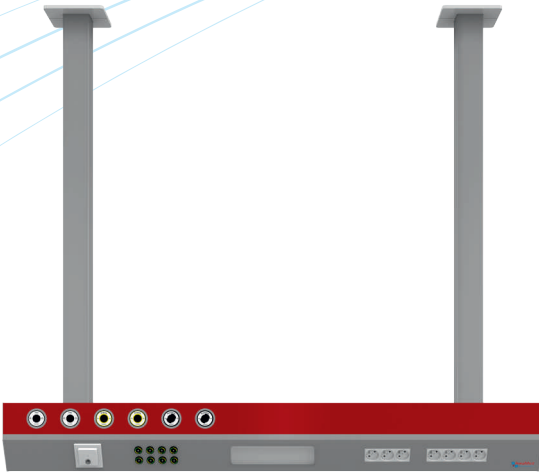
- › flowmeters,
- › suction regulators,



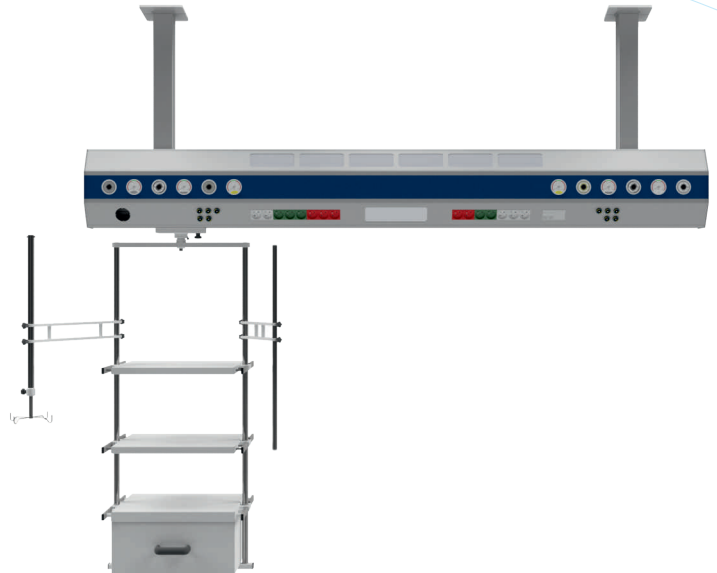
# CEILING SUPPLY BEAMS

**CEILING SUPPLY BEAMS** are used to safely administer medical gases to the patient. They may be provided with auxiliary features, such as electrical sockets, equipotential bonding sockets, gas pressure indicating gauges, switches, call systems, and various types of lighting. Ceiling supply beams are installed in intensive care and post-operative rooms.

Ceiling supply beam AWA 006



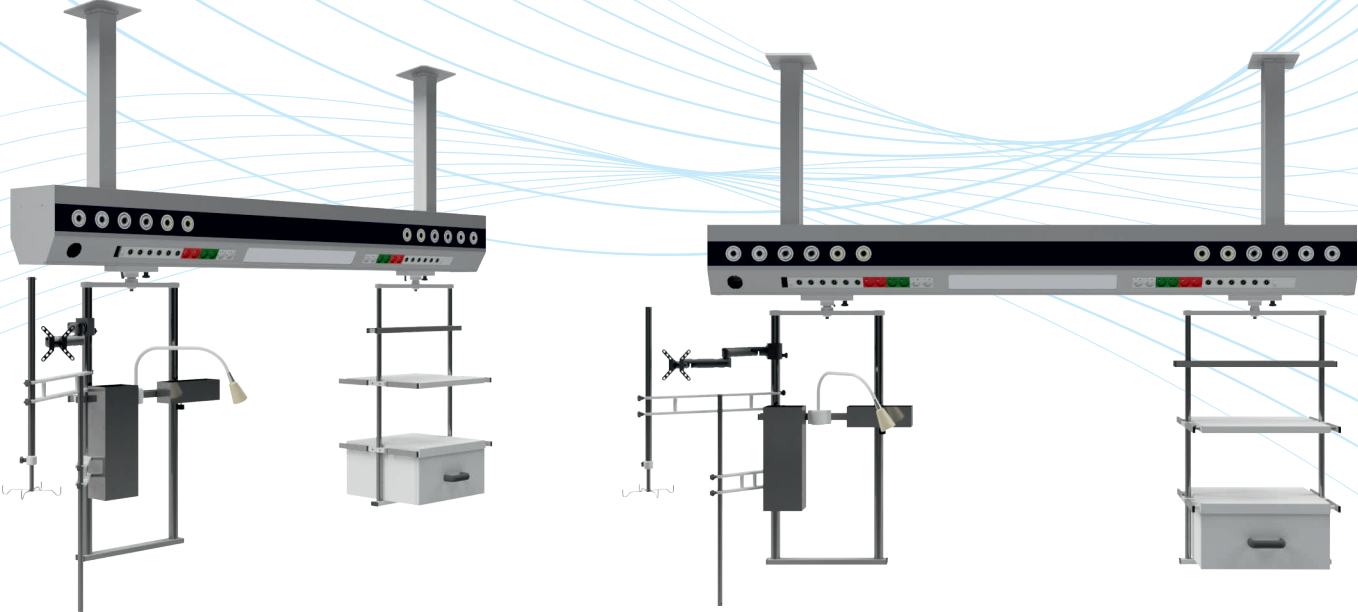
Ceiling supply beam AWA 008



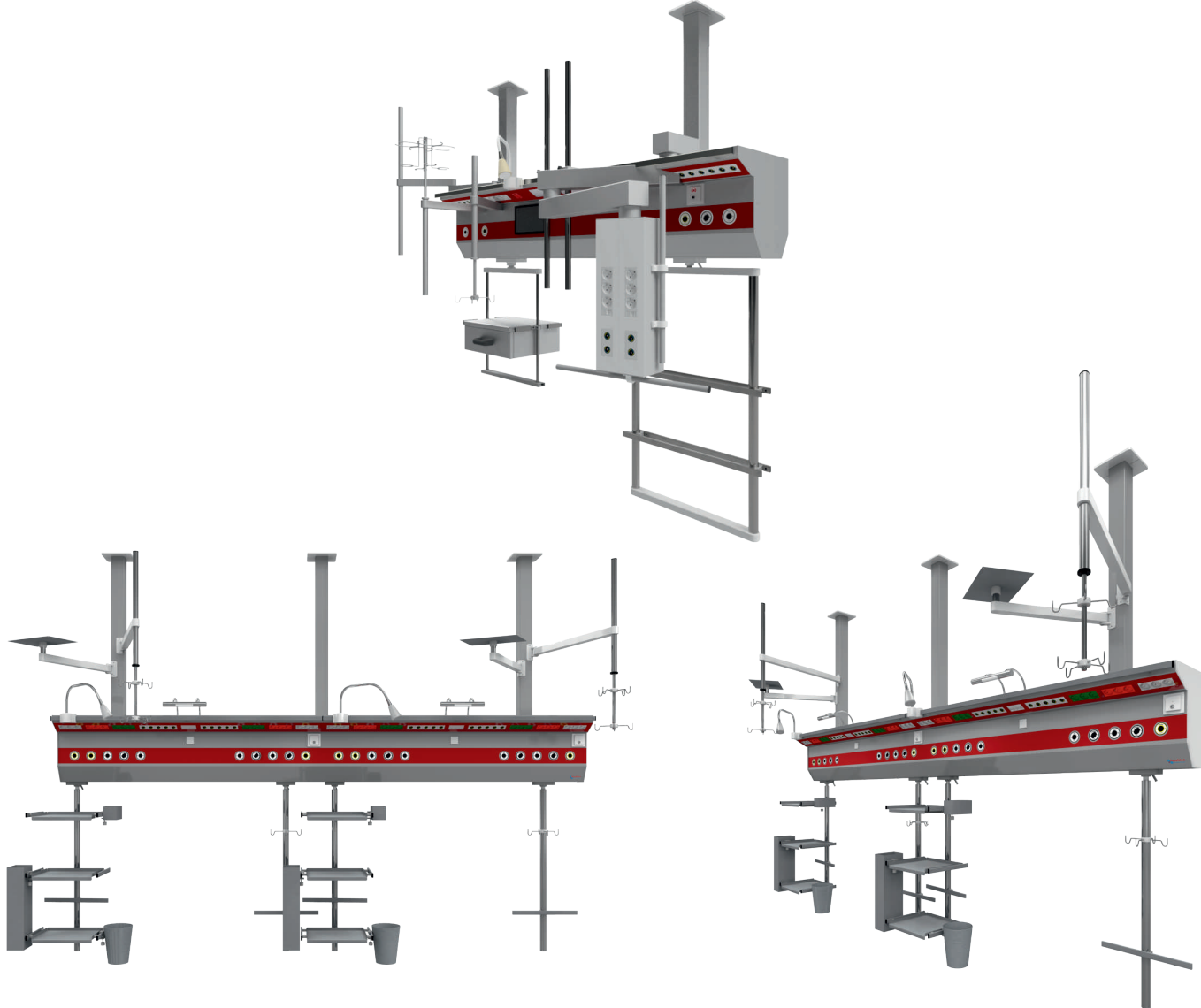
Ceiling supply beam AWA 009



Ceiling supply beam AWA 016



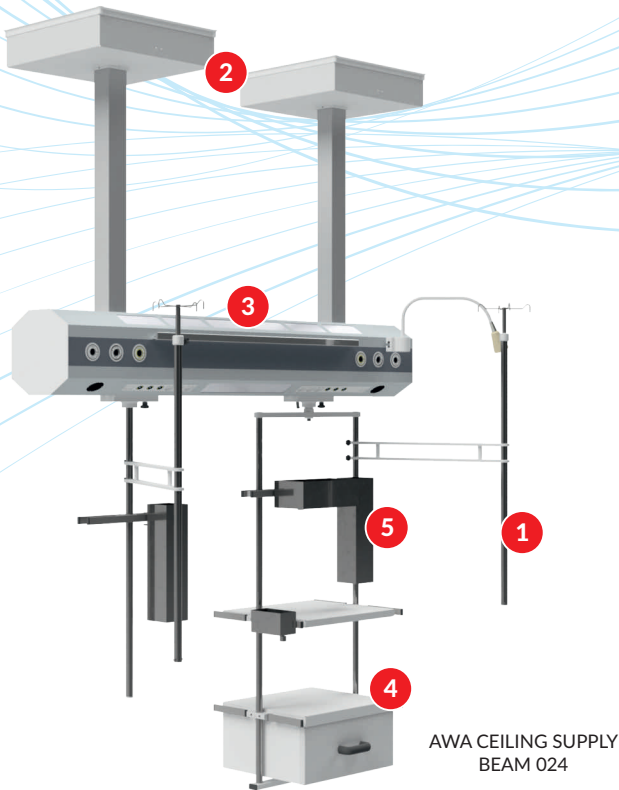
Ceiling supply beam with full equipment AWA 023





# SAMPLE EQUIPMENT

FOR 1 WORKSTATION



## KEY

- 1 Infusion boom
- 2 Ceiling mount
- 3 Two-station beam
- 4 Shelf with drawer
- 5 Bin

## SPECIFICATIONS

- › two-station universal beam,
- › profile made of aluminum,
- › ceiling installation with dedicated slings,
- › possible powder coating in a RAL color or coloring by anodizing,
- › dedicated channel for medical gas outlet points in the AGA or DIN system,
- › possibility to mount medical rails on a part or the whole length of the panel,
- › preparation for a call system (mounting hole for a socket installed perpendicular to the surface of the floor),
- › access to electrical sockets, service or replacement from the front of the medical unit, without the need to remove the panel from the sling,
- › possibility to extend the panel with additional electrical sockets without the need to disassemble the medical unit.

## MEDICAL GAS OUTLETS

- › made according to the DIN or AGA standard,
- › mounted on the monitoring-ventilation side and on the infusion side,
- › number of gas outlets: oxygen, compressed air, vacuum, nitrous oxide (up to 15 points per station, according to the client's request),
- › gas pressure control manometer mounted in the center of the bed head unit.

## ELECTRICAL SOCKETS

- › flush with the housing surface or installed on top,
- › made as a 45 x 45 mm French module,
- › number of electrical sockets according to the client's request,
- › number of equipotential sockets according to the client's request

## NURSE CALL SYSTEM

- › preparation of a hole for the nurse call system socket.

## TELECOMMUNICATION SOCKETS

- › RJ45, RJ11 computer sockets,

## ROOM LIGHTING

- › general lighting e.g.: T5, 2G11 with the power of a single fluorescent lamps from 18 W to 80 W, switched on with a switch on the bed head unit,
- › LED lighting.

## LOCAL LIGHTING

- › general lighting e.g.: T5, 2G11 with the power of a single fluorescent lamps from 18 W to 80 W, switched on with a switch on the bed head unit or a nurse call system manipulator (optional),
- › LED lighting.

## NIGHT LIGHTING

- › lighting from 2 W to 5 W, switched on with a switch on the the bed head unit or a call system manipulator (optional),
- › LED lighting.

## DUCTS

- › duct A intended for the medical gas outlet points system,
- › duct B for the electrical system and electrical sockets,
- › low-location lighting.



AWA CEILING SUPPLY BEAM 08

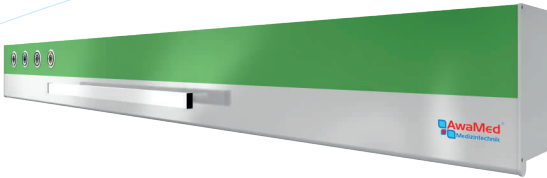


AWA CEILING SUPPLY BEAM 023

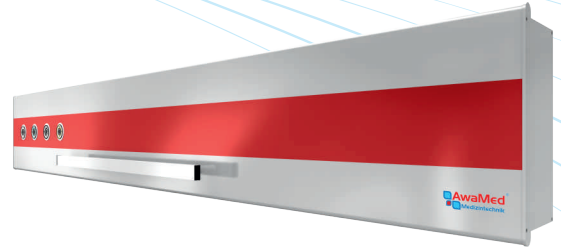
**IMPORTANT!** The ceiling supply beam model described is a single-station universal model.  
All components are always individually selected by the client.

# BED HEAD UNITS AWA CLASSIC

AWA CLASSIC - model 1



AWA CLASSIC - model 3



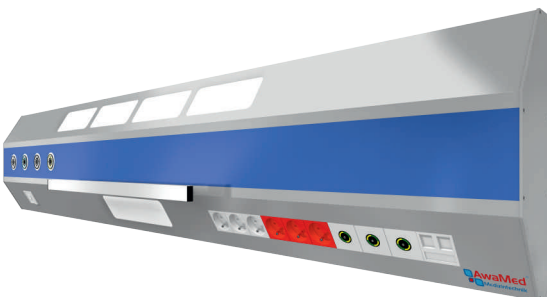
AWA CLASSIC - model 4



AWA CLASSIC - model 6



AWA CLASSIC - model 8

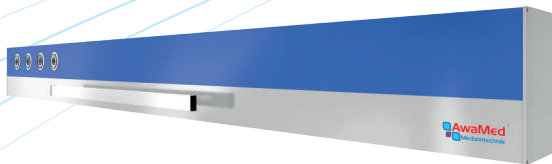


AWA CLASSIC - model 10



# AWA CLASSIC

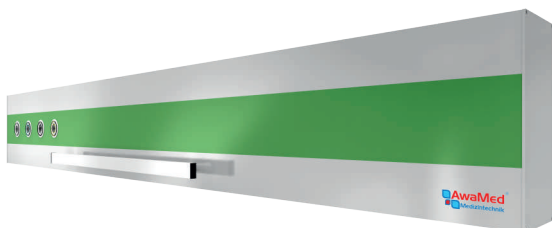
AWA CLASSIC - model 11



AWA CLASSIC - model 12



AWA CLASSIC - model 13



AWA CLASSIC - model 14



AWA CLASSIC - model 15

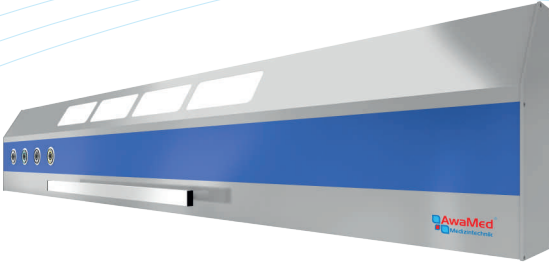


AWA CLASSIC - model 16

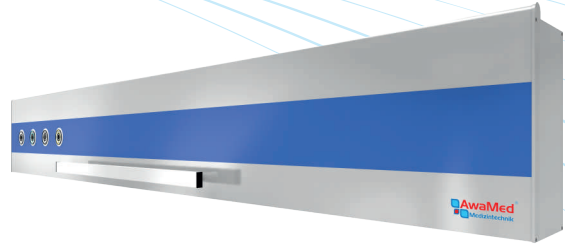


# AWA CLASSIC

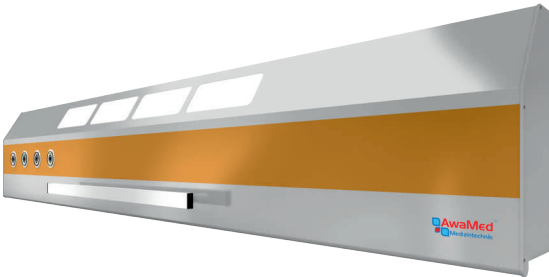
AWA CLASSIC - model 17



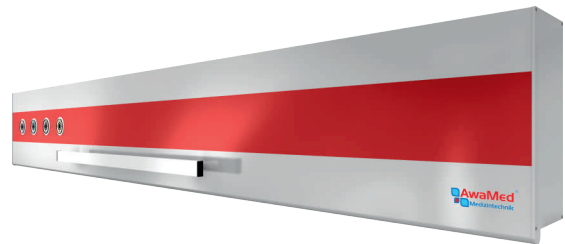
AWA CLASSIC - model 18



AWA CLASSIC - model 19



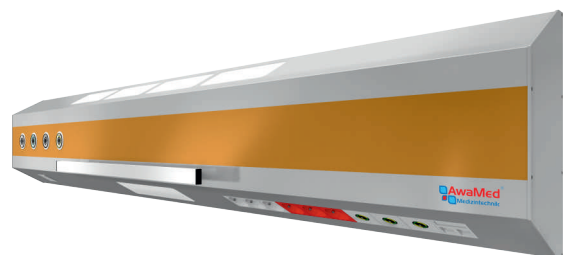
AWA CLASSIC - model 20



AWA CLASSIC - model 23



AWA CLASSIC - model 24



# AWA VERTICAL

AWA VERTICAL - model 3



AWA VERTICAL - model 4



AWA VERTICAL - model 13



AWA VERTICAL - model 7



AWA VERTICAL - model 8



AWA VERTICAL - model 9



AWA VERTICAL - model 14



AWA VERTICAL - model 24



AWA VERTICAL - model 25

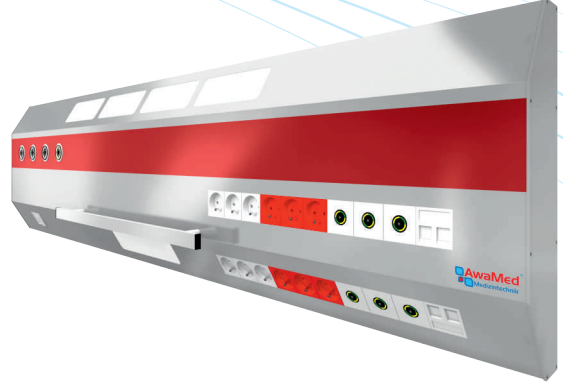


# AWA INTENSO

AWA INTENSO - model 5



AWA INTENSO - model 9



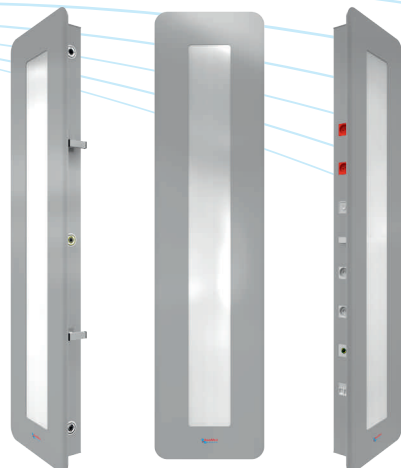
AWA INTENSO - model 21



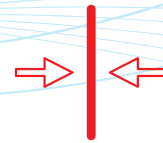
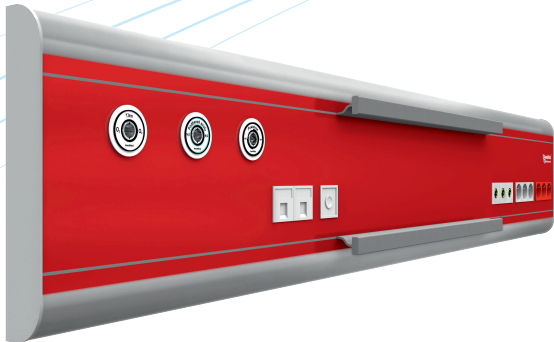
## AWA KIDS



## AWA DE LUX



# AWA SLIM



**49 mm**  
**THINNEST BED HEAD**  
**UNIT IN POLAND**

## BED HEAD UNIT L SPECIFICATIONS

- › single-station bed head unit,
- › profile made of aluminum,
- › possible powder coating in a RAL color or coloring by anodizing,
- › wall-mounted,
- › possibility to mount a medical rail on a part or the whole length of the bed head unit,
- › in case of the Vertical and De Luxe bed head unit, it is possible to install a Rexroth tube along the whole length of the bed head unit,
- › possibility to mount shelves to Rexroth rails and tube, including rotating shelves,
- › possibility of to mount rotary-sliding carts with shelves and drawers in ceiling supply beams,
- › access to electrical sockets, service or replacement from the front of the wall-mounted medical unit without the need to remove the bed head unit from the wall,
- › possibility to extend the bed head unit with additional electrical sockets without the need to disassemble it.

## BED HEAD UNIT EQUIPMENT

### MEDICAL GAS OUTLETS

- › made according to the DIN or AGA standard,
- › installation on the monitoring and ventilation side,
- › number of gas outlets: oxygen, compressed air, vacuum, nitrous oxide (up to 15 points per station, according to the client's request),
- › possibility to install a gas pressure control manometer.

### ELECTRICAL SOCKETS

- › flush with the housing surface,
- › made as a 45 x 45 mm French module,
- › number of electrical sockets according to the client's request
- › number of equipotential sockets according to the client's request.

### NURSE CALL SYSTEM

- › preparation of a hole for the nurse call system socket,

### TELECOMMUNICATION SOCKETS

- › RJ45, RJ11 computer sockets,

### TELECOMMUNICATION SOCKETS

- › general lighting e.g.: T5, 2G11 with the power of a single fluorescent lamps from 18 W to 80 W, switched on with a switch on the panel,
- › LED lighting.

### PATIENT LIGHTING

- › general lighting e.g.: T5, 2G11 with the power of a single fluorescent lamps from 18 W to 80 W, switched on with a switch on the panel or a nurse call system manipulator (optional),
- › LED lighting.

### TELECOMMUNICATION SOCKETS

- › lighting from 2 W to 5 W, switched on with a switch on the panel or a call system manipulator (optional).

**IMPORTANT!** The ceiling supply beam model described is a single-station universal model.  
All components are always individually selected by the client.



### INSTALLATION

Our goal is not only to supply the best product, but also to install it correctly and in compliance with all applicable standards. By combining these two services, we can provide the client with the best quality warranty for a product that fully meets high esthetic and functional expectations.



### ADVICE

Our consultants advise our clients on minor and major issues every day. They suggest which product to choose, which thread fits the dispenser, and how to connect the bed head unit to the systems. We answer every question related to our business, even when we are not involved in a project.



### NEEDS ANALYSIS

During a needs analysis, we examine what is necessary for proper functioning of medical gas systems in a hospital. We check for problems that prevent you from achieving what you need, and we identify possible solutions.



### DESIGNING

Our many years of experience allow us to prepare building and detailed designs along with solutions that have a real impact on the efficiency and quality of medical gas systems in hospitals.



### WARRANTY

All our products and services come with a 2-year warranty. When buying a product together with the service, the client is always sure of professional warranty service.



### MAINTENANCE

In order to enable hospitals to enjoy the convenience that comes with our products, we provide maintenance services. By performing periodic inspections, we ensure that the properties and quality of our products will not change with time.



### CERTIFICATION

We test and certify gas systems for compliance with applicable standards, including those concerning tightness, mechanical strength, cross connections, and system efficiency. As a result, hospitals can be sure that they buy high quality products.



© AwaMed - Medizintechnik  
second edition

AwaMed - Medizintechnik Arkadiusz Warzyński  
ul. Zeusa 1 • 72-006 Mierzyn • [www.awamed.pl](http://www.awamed.pl)

[awamed@awamed.pl](mailto:awamed@awamed.pl) tel. +48 91 48 76 849

**20 YEARS**  
of experience

**200**  
products

